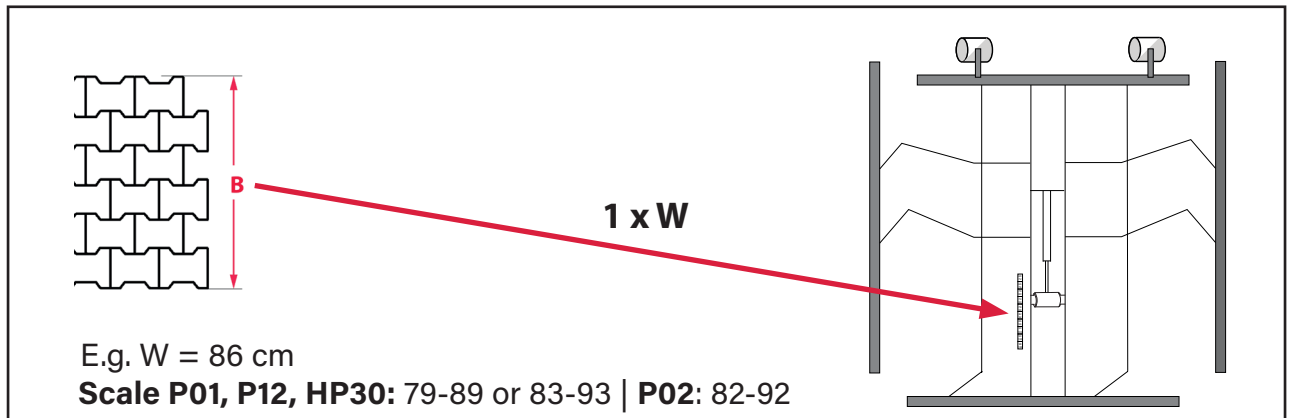


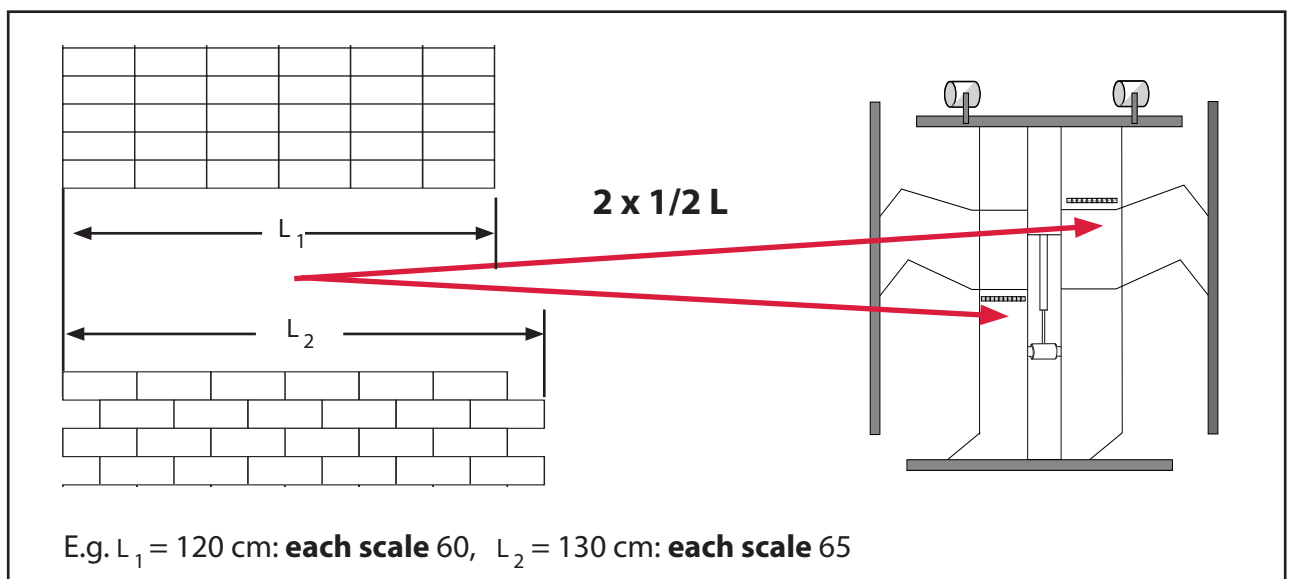
New Stones - New Settings

Overview - does not replace the operation manual

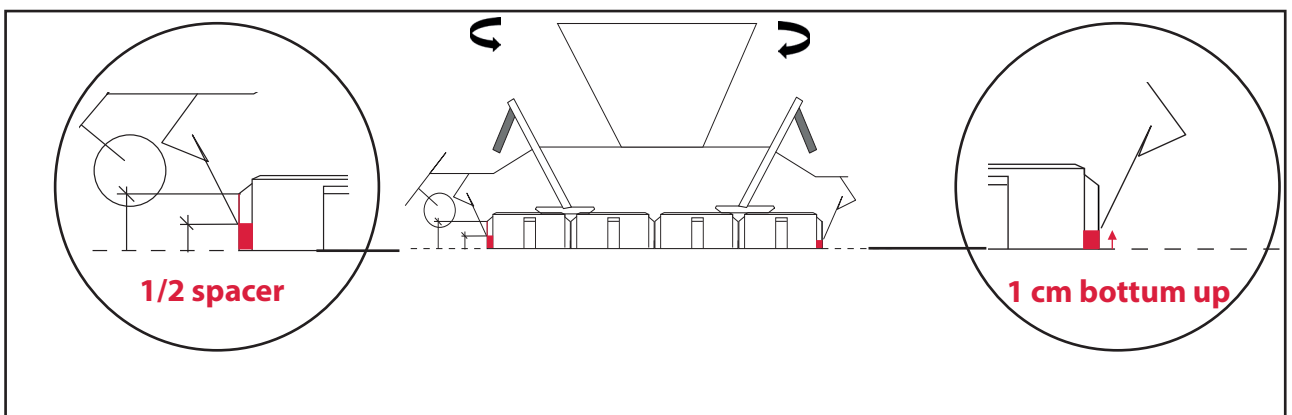
A Width (W) of the stone layer (see manual p. 44)



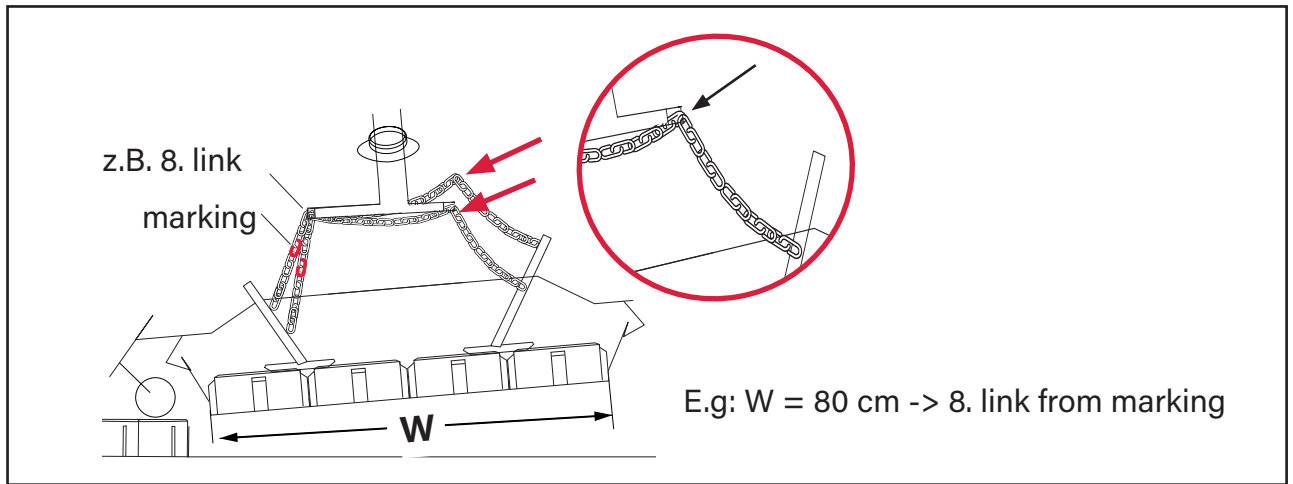
B Length (L) of the stone layer (manual p. 54)



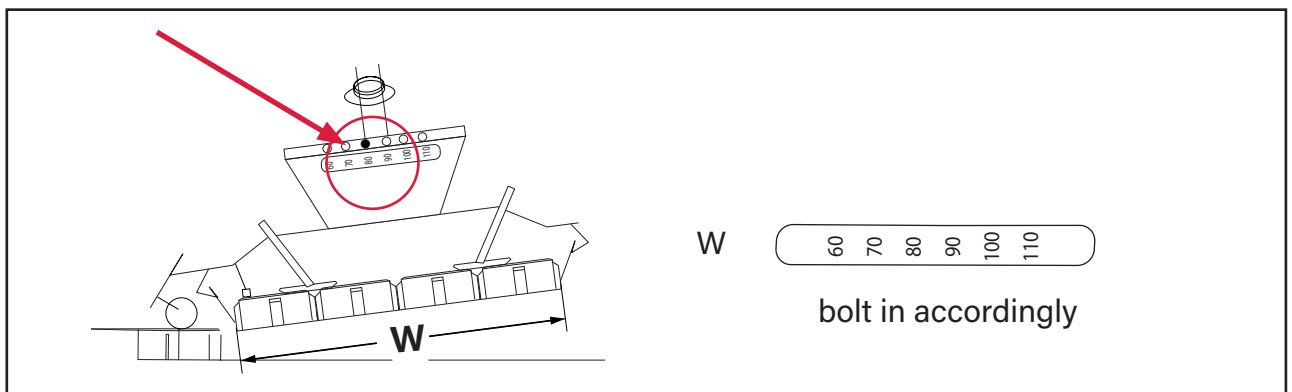
C Gripping depth (manual p. 62)



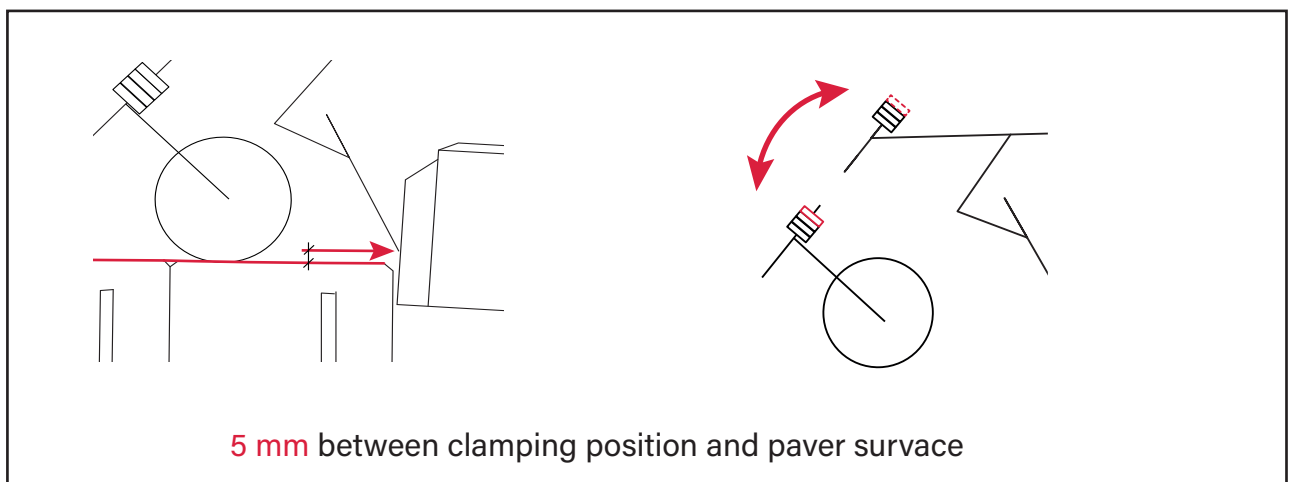
D Inclination P01 / P12 (see manual p. 69)



Inclination P02 (manual p. 70)



E Guiding wheels (manual p. 68)



+49 8024 / 47508-77

Just call for quick help.



basic settings

P01

P12 / P02

