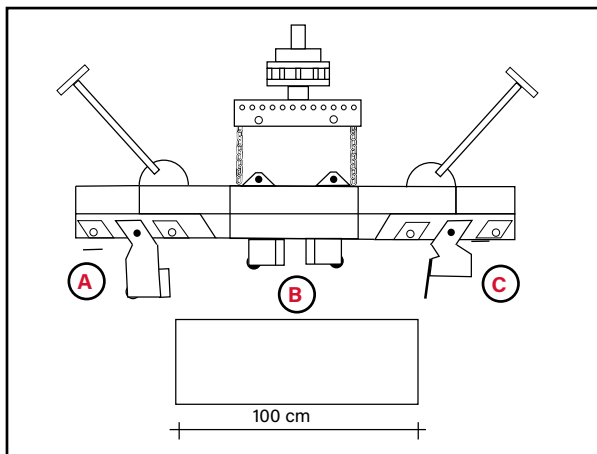


# Kerb Stone Clamp S400

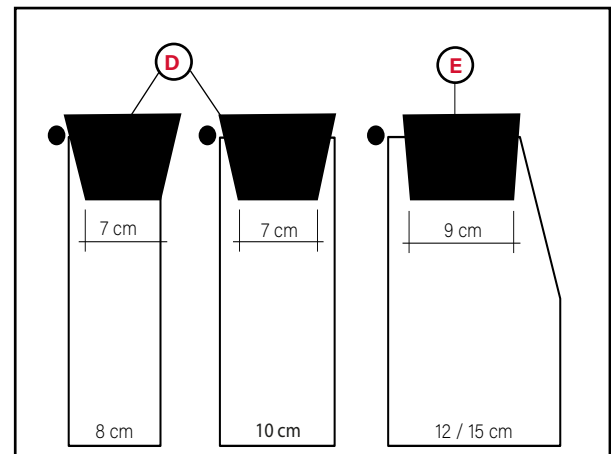
Overview - does not replace the operation manual

## A Jaw Combination



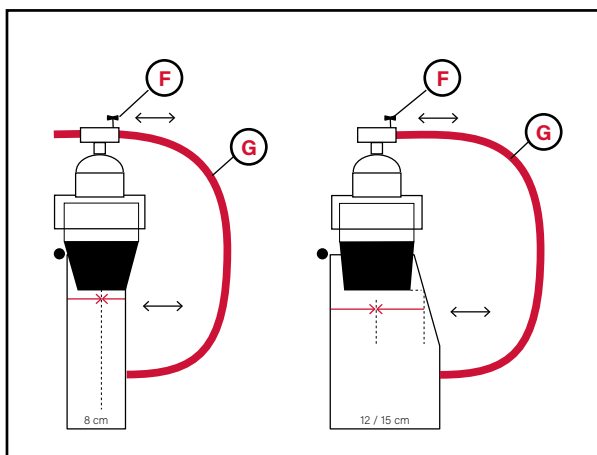
- A = 1 x Rubber Jaw 12 cm long, 2<sup>nd</sup> outmost position
- B = 2 x Rubber Jaws 6 cm short, innermost position
- C = 1 x Gap Jaw 7 or 9 cm wide, 2<sup>nd</sup> outmost position

## Joice of Gap Jaws

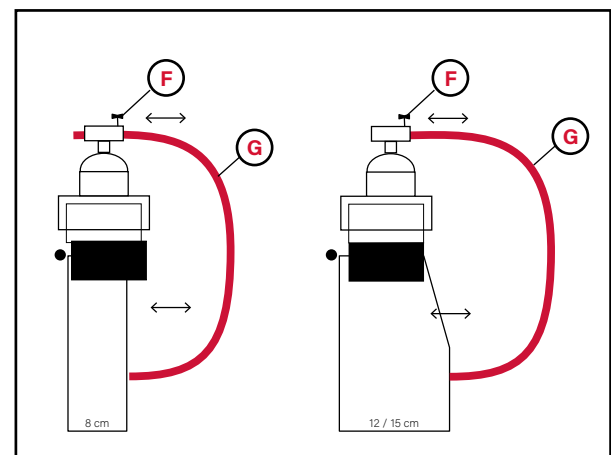


- D = Border Stone 8/10 cm: Gap Jaw 7 cm
- E = Kerb Stone 12/15 cm: Gap Jaw 9 cm
- = Line

## B Stop Brackets define Clamping Position of Gap Jaw



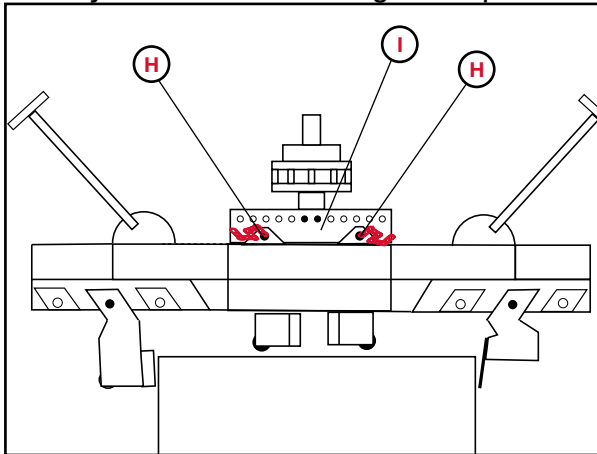
## Rubber Jaw 14 cm



- F = Setting of Stop Bracket
- G = Stop Bracket -> clamping position
- = Line

**C Height Compensation** -> Hanger Flange on Chain = bolted out (BA S. 30)

Factory default: Without height compensation

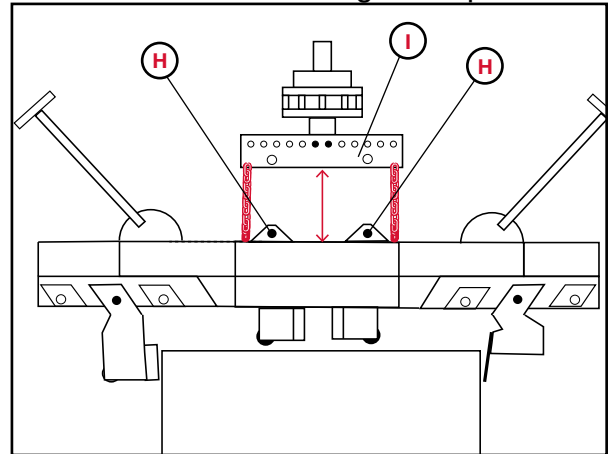


H = Bolt, I = Hanger Flange

Hanger flange is directly connected with the Kerb Stone Clamp.

**Caution:** Carrier machine **puts pressure** on clamp and bedding.

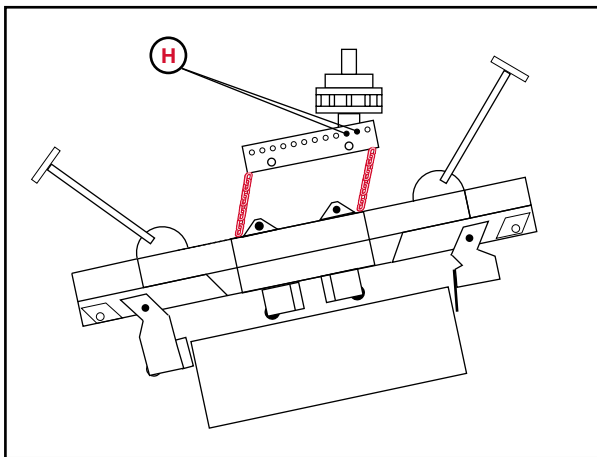
**Recommended:** With height compensation



Carrier machine **doesn't** put pressure on the Kerb Stone Clamp or bedding. Only the stone's weight puts pressure on the bedding.

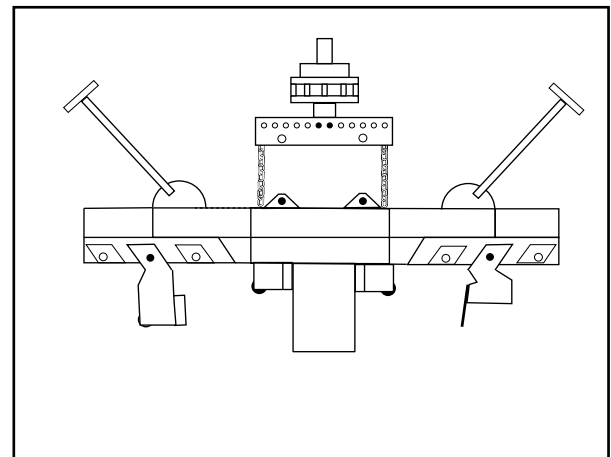
-> flexible working

**D Inclination**



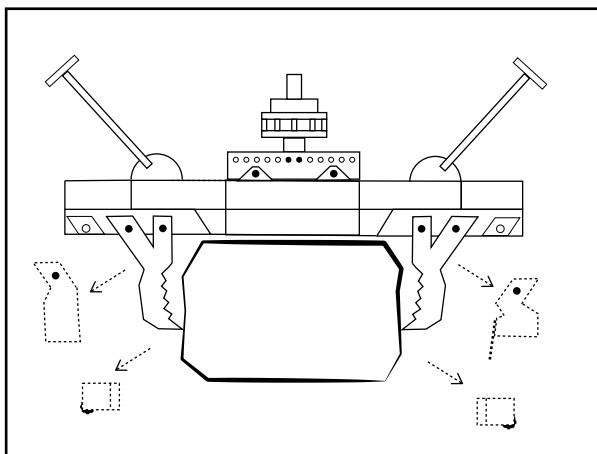
for slopes

**E Crosswise Clamping**



with Rubber Jaws 7 cm  
otherwise 2 x Gap Jaw 14 cm

**F Other Elements - other Jaws**



**+498024 / 47508-77**  
Just call for quick help.