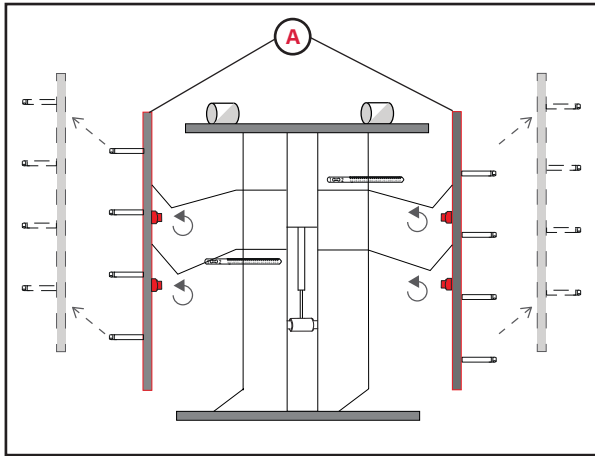


Quick Start Shifting Adapter-Plus

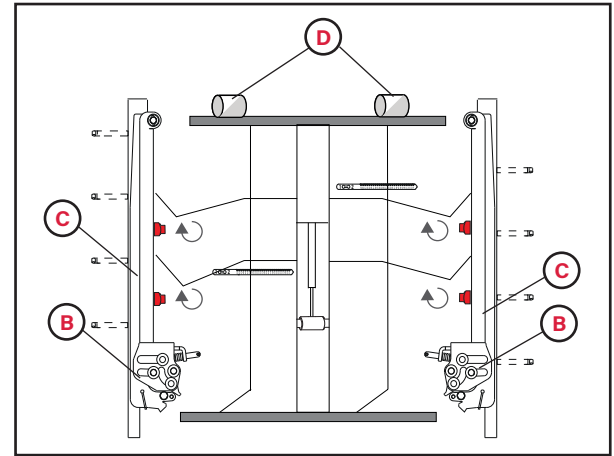
Overview - does not replace the operation manual

A Dismount Side Arms (A)



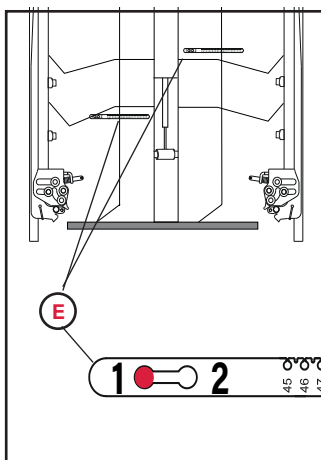
Loosen 2 screws per side arm bar

B Mount Shifting Adapter-Plus (C)



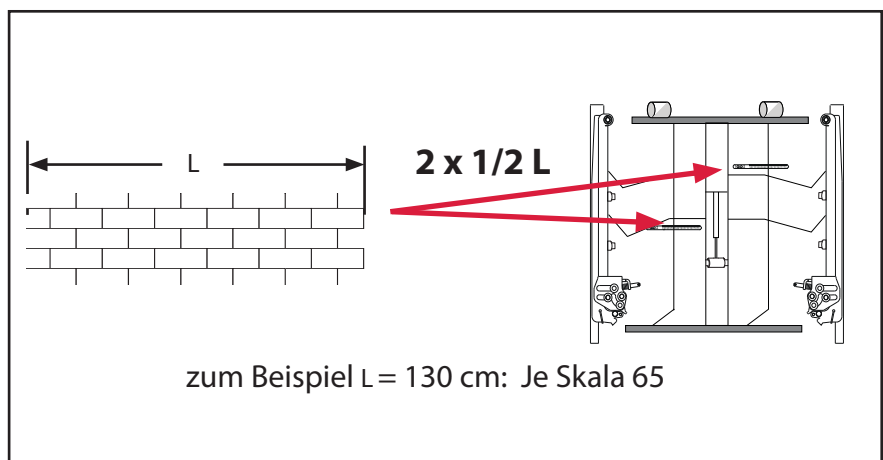
Shifting mechanic (B) opposite guiding wheels (D)

C side arm scale (E)



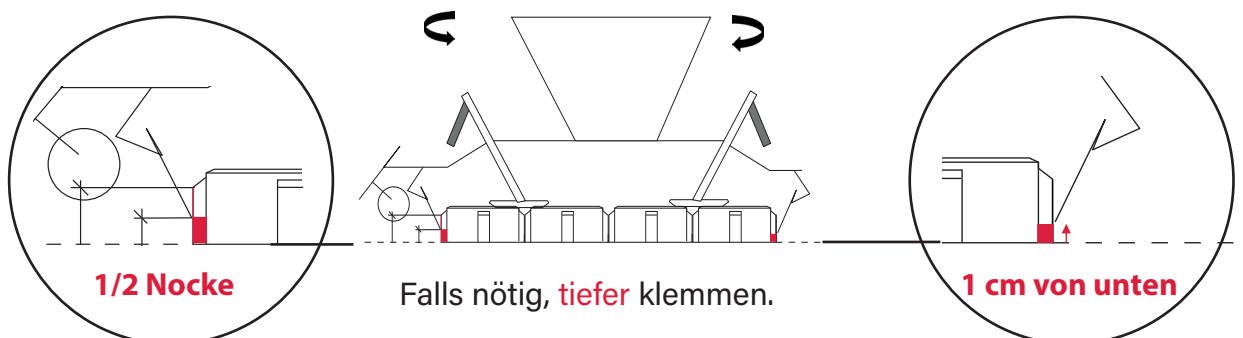
switch side arm scale to position 1

C side arm bars

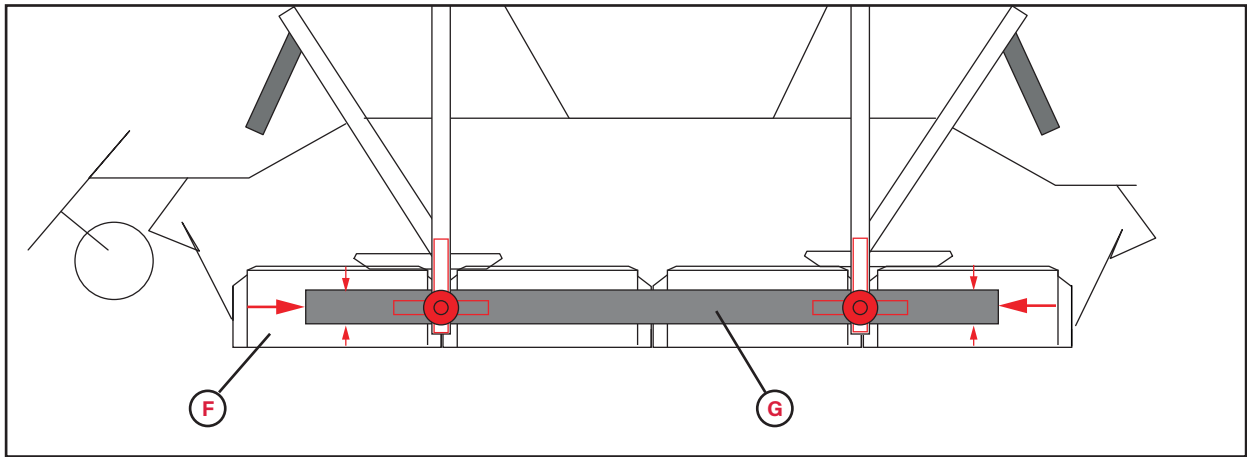


set side clamp according to length of the stone layer (manual p. 56)

D gripping depth (BA S. 66)



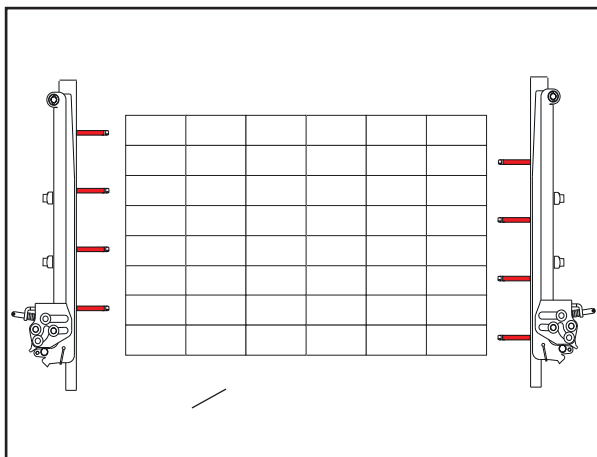
E Centre Shifting Adapter-Plus according to width and height of the stone layer (manual p. 62)



F = Width of the stone layer

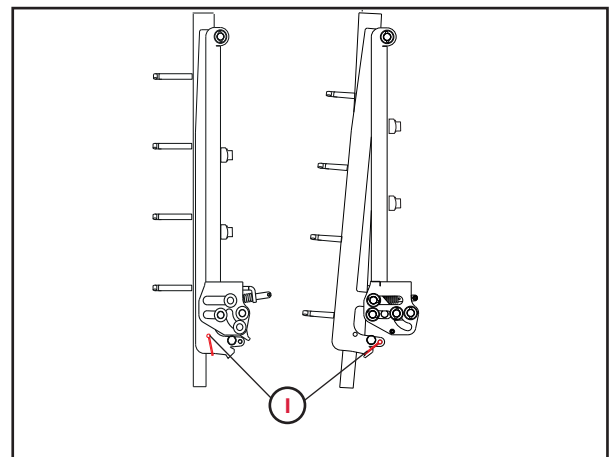
G = side arm bar

F Position stone shifting pins



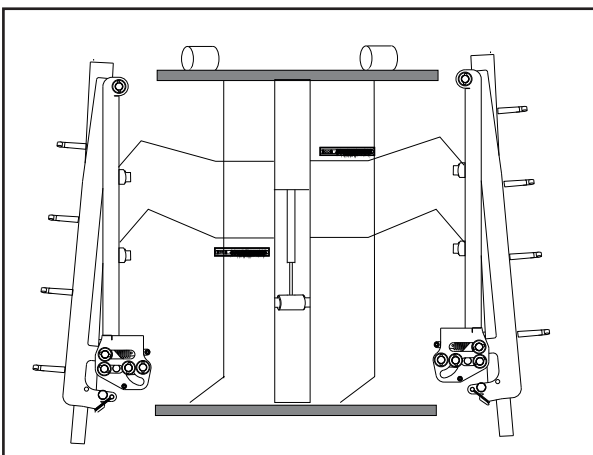
H = stone shifting pins

G Remove cotter pin



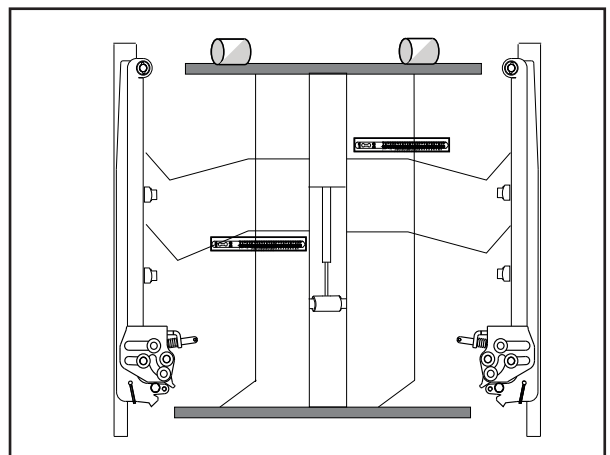
I = cotter pin

H Shifting Adapter-Plus active



inclined

I Use as **standard** side arm bar (passive)



set straight and remove stone shifting pins



08024 / 47508-77

Just call for quick help.



Video Grundeinstellung

P01

P12 / P02

